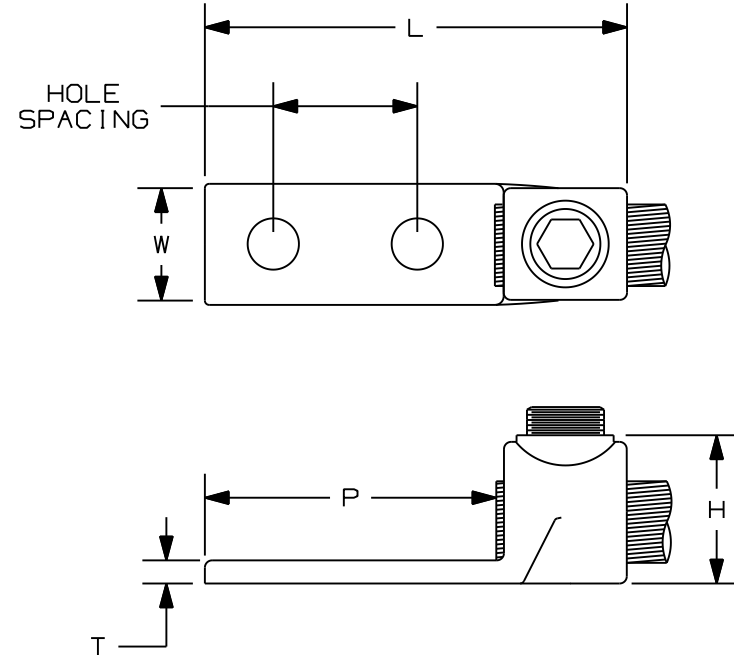



| PART NUMBER | COPPER CONDUCTOR SIZE RANGE | STUD HOLE SIZE (IN.) | STUD HOLE SPACING (IN.) | HEX KEY SIZE (IN.) | FIGURE DIMENSIONS (IN.) | | | | | TIGHTENING TORQUE (IN.-LBS.) | STD. PKG. QTY. |
|-------------|-----------------------------|----------------------|-------------------------|--------------------|-------------------------|------|------|-----|------|------------------------------|----------------|
| | | | | | L | W | H | T | P | | |
| HL1-2-25-X | #14 SOL- #8 STR | 1/4 | .63 | *** | 2.00 | .56 | .70 | .19 | 1.25 | 20 | 10 |
| HL4-2-X | #8 SOL- #4 STR | 1/4 | .63 | *** | 2.00 | .56 | .69 | .18 | 1.25 | 35 | 10 |
| HL8-2-X | #4 SOL- #1 STR | 1/4 | .75 | 7/16 | 2.44 | .75 | .92 | .22 | 1.50 | 100 | 10 |
| HL13-2-5 | #1 SOL- 2/0 STR | 3/8 (A) | 1.00 | 9/16 | 2.88 | .81 | 1.07 | .22 | 1.88 | 250 | 5 |
| HL21-2-5 | 2/0 STR- 4/0 STR | 3/8 | 1.00 | 9/16 | 3.00 | 1.00 | 1.33 | .25 | 1.75 | 250 | 5 |
| HL30-2-2 | 4/0 STR- 300 kcmil | 3/8 | 1.00 | 5/8 | 3.13 | 1.06 | 1.45 | .31 | 2.00 | 350 | 2 |
| HL50-2-2 | 300 kcmil- 500 kcmil | 3/8 | 1.00 | 3/4 | 3.44 | 1.38 | 1.66 | .34 | 2.00 | 480 | 2 |

© NOTES:

1. CAST FROM HIGH STRENGTH CORROSION RESISTANT COPPER ALLOY TO PROVIDE PREMIUM ELECTRICAL AND MECHANICAL PERFORMANCE.
2. WIRE RANGE TAKING CAPABILITY MINIMIZES INVENTORY REQUIREMENTS.
3. INTERNAL PRESSURE PLATE PROVIDES UNIFORM CLAMPING FORCE ON CONDUCTOR FOR PREMIUM ELECTRICAL PERFORMANCE.
4. PLATED STEEL SET SCREW PROVIDES HIGH STRENGTH, DURABLE ELECTRICAL CONTACT BETWEEN CONDUCTOR AND CONNECTOR.
5. INSPECTION WINDOW TO VISUALLY ASSURE FULL CONDUCTOR INSERTION.
6. FLAT BOTTOM ALLOWS FOR COMPLETE CONTACT WITH MOUNTING SURFACE.
7. UL LISTED FOR USE UP TO 600V AND TEMPERATURE RATED 90° C.



C41437_03

| | | | | | | | | | | | |
|-----|-------|------|-----|--------------------------|-------|-----|--|----------|-------|-------|-------------|
| 03 | 03/08 | JESH | JAC | ADDED NOTES | © | JAC |  PANDUIT CORP. TINLEY PARK, ILLINOIS TWO-HOLE, STRAIGHT TONGUE LUG WITH INTERNAL PRESSURE PLATE CUSTOMER DRAWING | | | | |
| 02 | 03/08 | JESH | JAC | TC REVISION CHANGE | © | JAC | | | | | |
| 01 | 2/08 | JESH | JAC | DIMENSION 3/8" WAS 5/16" | © | JAC | | | | | |
| 00 | 9/04 | JHNU | | DRAWING RELEASED | | | | | | | |
| REV | DATE | BY | CHK | DESCRIPTION | ECN # | PM | CUST | DRAWN BY | CHK'D | SCALE | DRAWING NO. |
| | | | | | | | | JHNU | | N/A | C41437 |